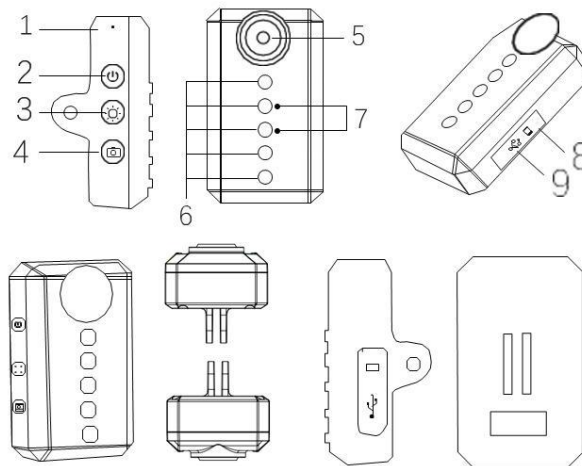


TECHALOGIC

Cycle Rear Light with Integrated Full HD 1080P Wide Angle Camera

Model CR-1

Quick Start Guide



- 1 Microphone
- 2 Power Button
- 3 Light Mode Button
- 4 Photo Button/Wifi On/Off
- 5 FHD Camera
- 6 LED Lights
- 7 Status Indicators – Charging/Low Battery (Top Led/Red) and Recording (2nd Led/Yellow)
- 8 Micro SD Card Slot
- 9 Micro USB Charging Port

Note – Please insert Micro SD Card (Max 128gb) before using

Power On/Off

Power ON. Press and hold the power button to turn the camera on. You will hear 3 beeps when successfully turned on, followed by a further one beep to confirm recording

7. Status indicators.

Charging/Low Battery (Top Led/Red) - Will flash 0.5s when being charged and also when the camera is being used and battery is getting low

Recording (2nd Led/Yellow) – This flash 1.0s to indicate recording is in progress

Power Off. Press and hold the power button. You will hear 5 beeps and the camera will power down

Video Mode

The camera is automatically set to loop recording continuously in 5 minute segments, at a default 1080P/30FPS. Loop recording when the SD card is almost full and automatically overwriting the oldest files. The Recording indicator will flash 1.0s when recording

Photo Mode

When powered on, the camera will automatically enter recording mode. To change it to automatic photo shooting mode (one photo a second), press the camera button twice. You will get two quick beeps to confirm that it is now in photo shooting mode, at about 1 photo per second. Photo resolution is up to 12M, but can be changed in settings.

LED Light Settings

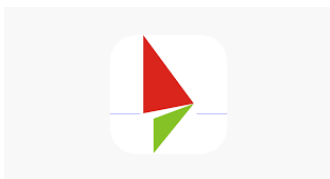
After powering up, press the light mode button to change the light pattern. This will not affect the current recording/photo function.

There are various different modes to select from, including LED off

Two Apps are suitable

APP Store - RICAM

Google Play - RICAM Pro



App Store & Google Play - Viidure



Turn on the Camera Wifi.

With the camera on, press and hold the camera button until you hear two short beeps

Turn on your mobile phone, and search networks for a name similar to T03_xxxxxxxx. Connect to this network by entering password "12345678" . (If you do not see the network, refresh your phone network listings)

Click and open the RICAM APP icon on your mobile phone.

Within Recording instrument select white button to connect camera

You will now see a live view of the camera. You can stop and start recording with the round button at the bottom of the page. The red record circle will be flashing in the top left hand corner of then screen when in recording mode. You will also see battery level status and also the icon to enlarge screen size to landscape if required

Select Videos to review your files. The file name is the date, time. Loop video is all of the standard video files and emergency video files were locked by the G Sensor. (Locked files will not automatically be overwritten by the camera). You can select any video file and play on your mobile device by on quick press on the file. If you want to save the video file/s to you mobile and share press and hold the file, you will then see an orange tick appear.. Select the file/s required and press the download arrow (bottom right of screen) and you will now be able to share your saved videos. Note you can also delete files as well if required

Select Images to view all of your photos. These can also be saved to your mobile device

Settings.

To enter settings select the Cog image in the top right..

Overview of settings below

Wifi Name – T03 etc.....

Modify Wifi Password if required

Sound Recording. Turn sound on/off

Timing Watermark. Turn the date/time off on your recording

Motion Detection. Turn on/off

Sensor Mirror. This will mirror the live view if using as a live rear view mirror

Cycle Recording Time. Loop record settings. 1, 3, 5 or 10 min segments, or turn loop off

G Sensor Sensitivity. Off, low medium or high

Video Resolution. 1080FHD, 720P or WVGA

Photo Resolution. 12, 10, 8, 5, 3M or VGA

Language. Select required

WDR (Wide Dynamic Range). On/Off

Light Freq. Select 50Hz for UK

Parking Monitor. Off, Low, Middle or High

Total Capacity of SD Card

Available Capacity left on SD card

Restore Factory Settings

Firmware Version. T04 etc

Charging

Connect to USB charging (Mains or Powerbank) Will not fully charge connected to any laptop or computer. The red LED will flash slowly when charging and will turn off when fully charged. Appx 2 hour charging time from empty.

Please note that the camera can be used for video or photo when in charging mode.

Charge the battery with the supplied charging cable. Do not store at a temperature over 60'C /140'F

Connecting to a computer via USB data cable

Once you connect the camera with a computer via USB cable, the computer will recognise and read the Micro SD card, you can then view the videos, images and download or delete etc

Camera Reset

If camera is not working properly, press the power button and light mode button simultaneously to power off and restart.

Abnormal Prompt

No card, card error, or other abnormalities: (Will beep 3 times in succession).

Low Battery alert: LED lights switch to constant, will beep 5 times, then powers off.

Memory on SD card is low and loop record is switched off. The camera will beep 8 times and shut down

Frequently Asked Questions

Q Why won't the camera turn on ?

A The battery maybe flat. If not try Reset Function

Q Why am I still not getting a "T03_XXXXXXXX WiFi signal?

A Refresh the network list and try again. Make sure your SD card is formatted, or try another SD card

Q Why won't my computer recognise the device?

A Data cable problem. Try another data cable

Q My SD card is full. How do I delete the old files?

A The files will get overwritten as it records, except for the "locked" files. Reformat your SD card to delete all files

Q Why is the camera showing a reverse image?

A Turn on "Sensor mirror" in the setting, then you may use it as a bike mirror.

Q How long does the bike light battery last?

A Appx 4 hours in Led and Recording Mode

Here to Help

Our friendly customer service team are available to help

Online Support <https://techalogic.co.uk/support/>

Tel 0330 2233108

What's in the box

1 x Bike Rear Light Cam

1 x Mount

1 x USB Cable

1 x Wipe Cloth

1 x User Manual

